

DATASHEET

10.1" AIO Touch Display

DP24R-10

Change Log

Ver.	Description	Edit	Review	Date
V2.0	Initial version			2024.03.01

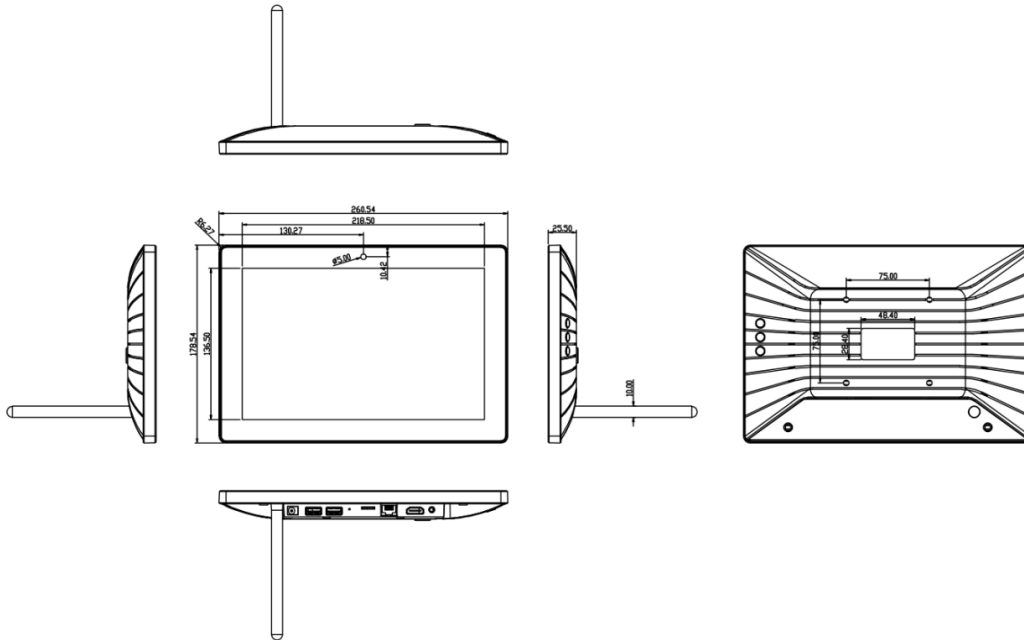
Disclaimer

Version declaration: This user manual, including but not limited to all information contained herein, is protected by copyright law. Without the permission of Shenzhen DataMax, any behavior such as forgery, copying, excerpting, translating, or distribution is prohibited.

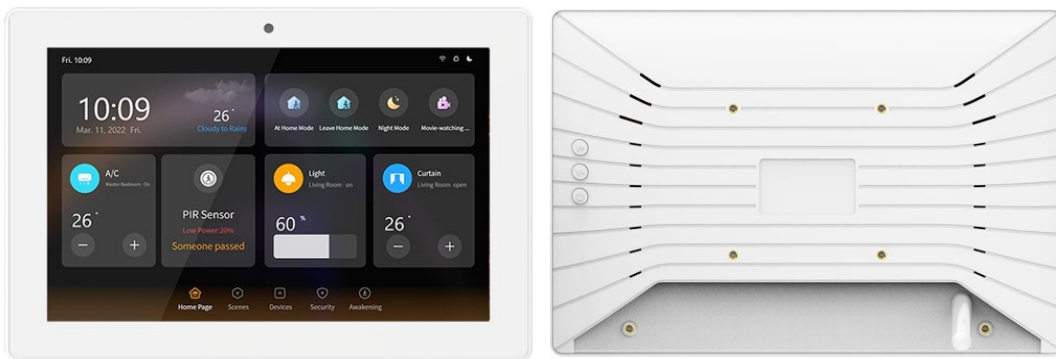
Disclaimer: The ownership and intellectual property rights of the third-party product names or content mentioned in this user manual belong to the respective product or content owners and are protected by current intellectual property laws and international treaties

Chapter 1 Product Overview

1.1 Dimension



1.2 Photo



Chapter 2 Datasheet

ID	Color	Black / White
	Size	260.54mmX178.54mmX25.5mm(L*W*T)
	Material	ABS+ tempered glass
	Installation	Desktop / Wall amount
Display	Size	10.1" TFT LED
	Ratio	218.5mm(H)x136.5mm(W) / 16:9
	Resolution	1280x800
	Brightness	280cd/m2
	Contrast	1500: 1
	View angles	(Up/Down/Left/Right):89°/89°/89°/89°
	Response time	6ms
	Display Colors	16.7M
Hardware	SoC	RK3566 QUAD 32 BIT Cortex-A55, max to 1.8GHz Mali-G52 GPU
	I/O	LPDDR-2G EMMC-8G 4*USB host, 1* OTG USB, 1*USB3.0 1*RJ45, 1*LVDS, 1*HDMI DC12V, ≤35W
Features	OS	Android 11.0
	Menu	Multi-language, Chinese, English, etc.
	Video	RM/RMVB, MKV, TS, FLV, AVI, VOB, MOV, WMV, MP4
	Audio	MP3, WMA, WAV, AC3, FLAC
	Pic	BMP/PNG/GIF/JPEG
	Document	PDF, PPT, SWF, TEXT, Real-time data streaming
	System Management	Unified management, Group management, Multi-user management, Remote management, Scheduled power on and off
Others	Reliability	50,000H
	Operation Temp.	0°C ~50°C
	Storage Temp.	-20°C ~60°C
	Operation Humi.	5% ~90%
	Storage Humi.	5% ~90%