

43-inch Outdoor Digital Signage

DP98R

File Update Records

Version	Description	Revision	Audit	Date
V1.0	Initial Version			2023.08.14

Statement

Version Statement: This user manual, including but not limited to all the information contained in it, is protected by copyright law. No counterfeiting, copying, excerpting, translation, distribution or other use is allowed without the permission of SHENZHEN DATAMAX Construction.

Disclaimer: For the third-party product names or content mentioned in this user manual, their ownership and intellectual property rights belong to the owner of each product or content and are protected by current intellectual property laws and international treaties.

Catalogue

I. Overview	3
1.1 Scope of Application.....	3
1.2 CPU Introduction.....	3
II. Product ID	4
2.1 Render Effects.....	4
2.2 Appearance.....	4
III. DATASHEET	5

I. Overview

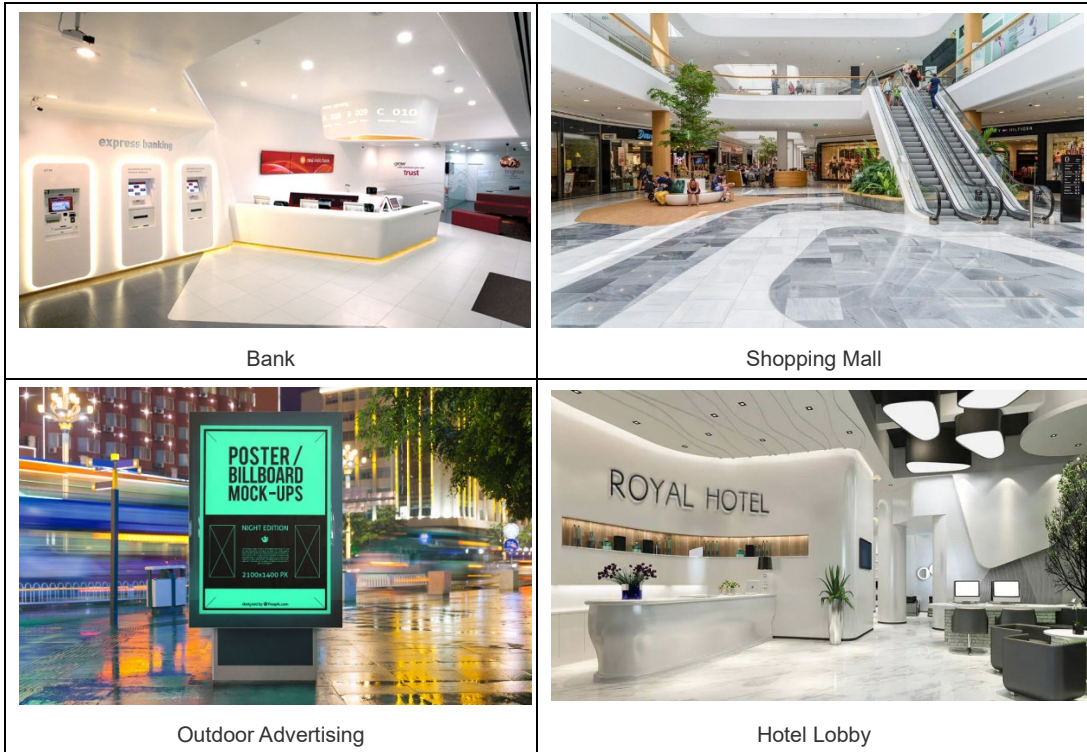
1.1 Scope of application

DP98R is a portable battery-powered outdoor digital signage. Unlike traditional standing advertisement machines, DP98R can be easily moved to outdoor and public places for advertising purposes, such as shopping centers, cinemas, banks, hotels, restaurants, hospitals, etc. It has a standby time of 15 hours.

1.2 CPU Introduction

- RK3568B2 supports almost full-format H.264 decoder by 4K@60fps, H.265 decoder by 4K@60fps, also support H.264/H.265 encoder by 1080p@60fps, high-quality JPEG encoder/decoder.
- The build-in NPU supports INT8/INT16/FP16/BFP16 hybrid operation. In addition, with its strong compatibility, network models based on a series of frameworks such as TensorFlow/MXNet/PyTorch/Caffe can be easily converted.
- RK3568B2 has high-performance external memory interface(DDR3/DDR3L/DDR4/LPDDR3/LPDDR4/ LPDDR4X) capable of sustaining demanding memory bandwidths.

1.3 Using Scenarios

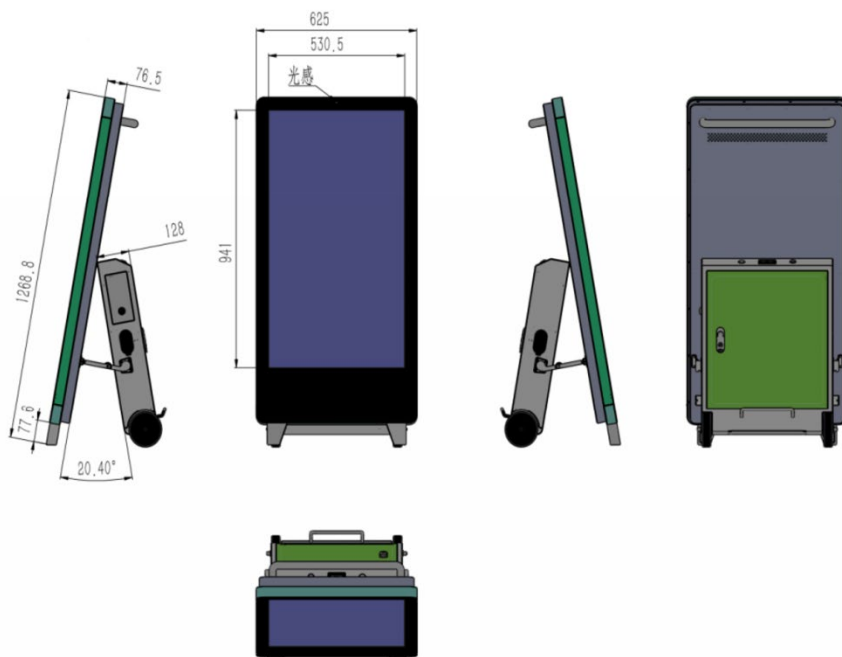


II. Product ID

2.1 Render effects



2.2 Appearance



III. DATASHEET

SCREEN	
Size	43"
Resolution	1920*1080
Aspect ratio	16:9
Brightness	2000 Nits
Contrast Ratio	3500:1
Visual Angle	178°H / 178°V
Refresh Frequency	60Hz
Backlight source	LED
Backlight Life	50,000 Hrs (Min.)
FUNCTION	
System	Android 12
CPU	RockChip RK3568B2 Quad-core ARM Cortex-A55 CPU up to 2.0GHz
GPU	Mali-G52-2EE support OpenGL ES 1.1/2.0/3.2, OpenCL 2.0 and Vulkan 1.1
DDR	DDR 2GB (4G optional)
EMMC	EMMC 8G (16G/32G optional)
Resolution	Up to 1080P
Network	4GLte / LAN / WIFI / Bluetooth 4.0
Port	USB2.0 × 2 / HDMI IN2.0 × 1 / Earphone × 1/ TF Card ×1
Video Format	RMVB, FLV, AVI, MOV, WMV, MP4, MPEG etc.
Pic Format	JPG, JPEG, BMP, PNG, GIF
Audio Format	MP4、WMA、WAV、APE、FLAC、AAC etc.
Speaker	D-CLASS, 8Ω, 10W*2
Screen Rotation	0°, 90°, 180°, 270° System Rotate
Menu Language	English / Chinese or others
Features	Portrait/Landscape/Split
	Custom Playback/On/ Off
	Seamless Switch
	Support remote network/local information publishing
POWER	
Input Voltage	AC90 ~ 264V50/60Hz charger to DC-14.6V battery charge voltage
Auto Power Switch	It supports external charger to work with load and provides battery charging at the same time
Battery Material	Lithium iron phosphate battery
Standard Capacity	120AH
Standard Voltage	+12V
Charger Voltage	+14.6V

Standard Charge Voltage	15AH
Working Temperature	-20°C ~ +60°C
Weight	13KG
Standby Time	15H
Power consumption	≤85W
TEMPERATURE CONTROL	
Intelligent Dimming	It can change the brightness of the screen according to the ambient light, so as to set the most suitable brightness.
Intelligent Temperature Control	It can monitor the temperature inside of machine chassis and control the fan speed based on the temperature.
Water Intrusion Alarm (optional)	When there is heavy rain in the equipment installation area and the water level reaches a dangerous level, data reporting is triggered.
Collision Alarm	The data will be reported when the device is artificially knocked or collided
Smoke Alarm (optional)	Data reporting is triggered when smoke is generated
Access Control Alarm (optional)	When someone pried the door, triggering the data report
Backlight Alarm (optional)	monitor the working status of the brightness of the LED screen light source.
Intelligent Air Cooling	DC intelligent forced air cooling machine
Dust-proof and Moisture-proof	High air volume filter
ID	
Color	Silver / Black
Screen Protection	tempered glass
Case Materials	Steel plate + aluminum alloy + outdoor powder coating + fully tempered glass
Packages	
Carton Size	
N.W	40 KG
G.W	50 KG